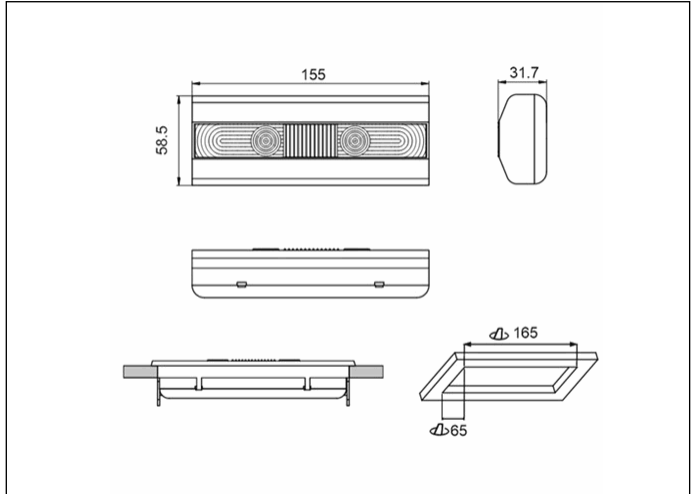


Graphic reference



Dimensions



Control System: AutoTest
Centralized Wireless

Luminaire: Self-Contained

Standards: EN-60598-1,
EN-60598-2-22, EN-62034,
ETSI EN 301 489-1 V2.2.3 ET
EN 301 489-3 V2.1.1

Certification: CE, ENEC,
CIVIL DEFENSE



Electrical characteristics

Supply: 230V 50Hz<2.8W
Maintained mode consumption: 2,8 W
Non-maintained mode consumption: 1,0 W
Working temperature: 0-40°C
Emergency lamp: 6xLED 0.5W
Emergency lumen output: 300 lm
Maintained lumen output: 180 lm
Battery: 3.2V-3.0Ah LFP

Class: II
Mode: -
Power factor: - %
Signaling Luminaire: -
LED temperature: 4000°K
Duration: 3 h
Remote control: No
Charging time: 12 h

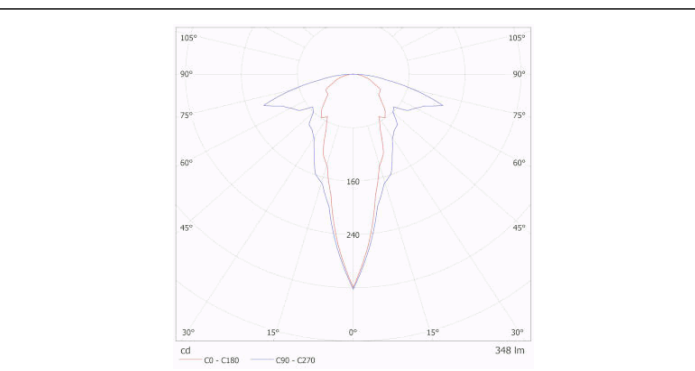
Mechanical characteristics

Housing: Polycarbonate
Diffuser: Ambient + Directional Lens
Suitable for flammable surfaces: Yes

IP/IK: IP42/IK04
Finish: White RAL9003
Weight: 0,17KG

ATEX Envelope:

Photometric curve



Interdistance

Installation height	Interdistance	Interdistance
2,0 m	7,58 m	11,87 m
2,5 m	9,48 m	14,84 m
3,0 m	10,60 m	16,47 m
3,5 m	10,98 m	16,71 m

Installation characteristics

Maintained luminaires use 4 terminals (2xL + 2xN).
Luminaires have a selector bridge to enable / disable the maintained mode.
Installation with mounting plate.
Possibility of installation in:
 Ceiling/Wall surface.
 Recessed ceiling (with installation accessory)
Possibility of connection with:
 Recessed wiring.

Operating characteristics

The luminaire has status LEDs, which indicates:
 Status of the battery charging circuit.
 Battery status (duration)
 Emergency status function.
 Test status.
Microprocessor controlled luminaire
The luminaire can be connected to a control unit.
When the luminaire is installed without a control unit, it performs periodic and automatic tests.
 Functional test every 7 days.
 Duration test every 365 days.
The test result is shown in the status indicator LEDs.
Wireless communication that allows: Communication with Control unit by wireless communication with a 868Mhz frequency system.

General Envelope data

Accessories

AMY0011



ACC. REC. ALYA WHITE CEILING

AYE0065

ACC. ENVOL. IP65 ALYA WHITE