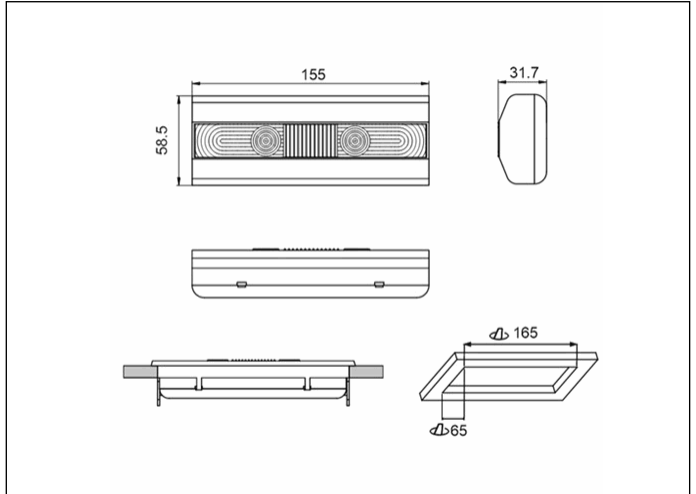


### Graphic reference



### Dimensions



**Control System:** AutoTest

**Luminaire:** Self-Contained

**Standards:** EN-60598-1,  
EN-60598-2-22, EN-62034

**Certification:** CE, ENEC



### Electrical characteristics

**Supply:** 230V 50Hz<3.8W

**Maintained mode consumption:** 3,8 W

**Non-maintained mode consumption:** 0,9 W

**Working temperature:** 0-40°C

**Emergency lamp:** 6xLED 0.5W

**Emergency lumen output:** 390 lm

**Maintained lumen output:** 230 lm

**Battery:** 3.2V-1.5Ah LFP

**Class:** II

**Mode:** -

**Power factor:** - %

**Signaling Luminaire:** -

**LED temperature:** 4000°K

**Duration:** 1 h

**Remote control:** Yes

**Charging time:** 12 h

### Mechanical characteristics

**Housing:** Polycarbonate

**Diffuser:** Ambient + Directional Lens

**Suitable for flammable surfaces:** Yes

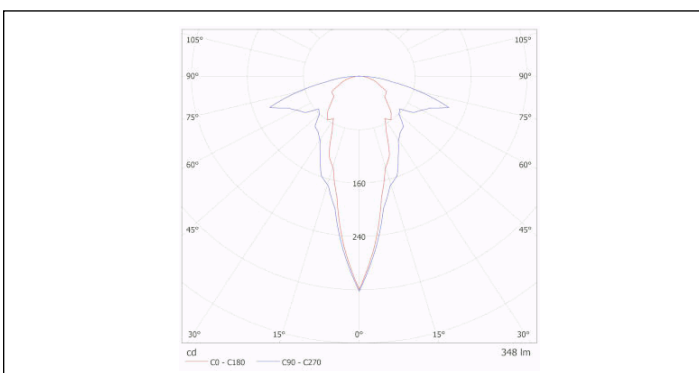
**ATEX Envelope:**

**IP/IK:** IP42/IK04

**Finish:** White RAL9003

**Weight:** 0,16KG

### Photometric curve



### Interdistance

**Installation height**



2,0 m                      7,58 m                      11,87 m

2,5 m                      9,48 m                      14,84 m

3,0 m                      11,36 m                      17,81 m

3,5 m                      12,20 m                      18,88 m

### Installation characteristics

Maintained luminaires use 4 terminals (2xL + 2xN).  
Luminaires have a selector bridge to enable / disable the maintained mode.  
Installation with mounting plate.  
Possibility of installation in:  
    Ceiling/Wall surface.  
    Recessed ceiling (with installation accessory)  
Possibility of connection with:  
    Recessed wiring.

### Operating characteristics

The luminaire has status LEDs, which indicates:  
    Status of the battery charging circuit.  
    Battery status (duration)  
    Emergency status function.  
    Test status.  
Microprocessor controlled luminaire that performs periodic and automatic tests.  
    Functional test every 7 days.  
    Duration test every 365 days.  
The test result is shown in the status indicator LEDs.

Remote control input that allows:  
    Put on Standby without power supply.  
    Restart in emergency status without power supply.  
    Switch on in emergency status (more than 24 h of charge)  
    Manual and remote duration test. (more than 24 hours of charge).  
    Date and time programming of the tests.  
    Reset of the luminaire status.

### General Envelope data

### Accessories

#### AMY0011



ACC. REC. ALYA WHITE CEILING

#### AYE0065

ACC. ENVOL. IP65 ALYA WHITE