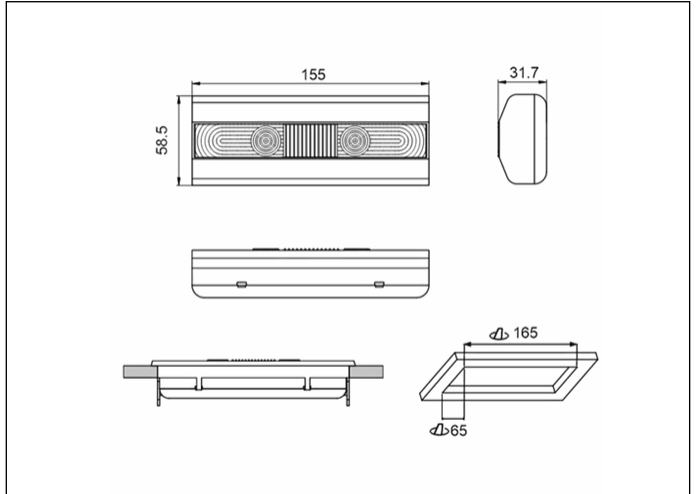


### Graphic reference



### Dimensions



**Control System:** Standard

**Luminaire:** Self-Contained

**Standards:** EN-60598-1,  
EN-60598-2-22

**Certification:** CE

### Electrical characteristics

**Supply:** 230V 50Hz<2.2W

**Maintained mode consumption:** - W

**Non-maintained mode consumption:** 2,2 W

**Working temperature:** 0-40°C

**Emergency lamp:** 6xLED 0.5W

**Emergency lumen output:** 550 lm

**Maintained lumen output:** - lm

**Battery:** 6.4V-1.5Ah LFP

**Class:** II

**Mode:** NM

**Power factor:** - %

**Signaling Luminaire:** -

**LED temperature:** 4000°K

**Duration:** 1 h

**Remote control:** No

**Charging time:** 24 h

### Mechanical characteristics

**Housing:** Polycarbonate

**Diffuser:** Ambient + Directional Lens

**Suitable for flammable surfaces:** Yes

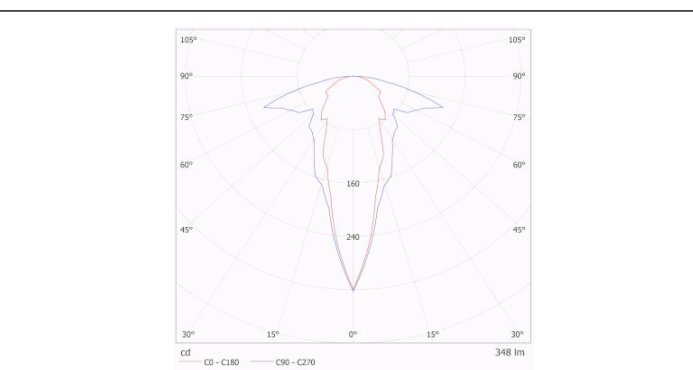
**ATEX Envelope:**

**IP/IK:** IP42/IK04

**Finish:** White RAL9003

**Weight:** 0,20KG

### Photometric curve



### Interdistance

**Installation height**



2,0 m                      7,58 m                      11,87 m

2,5 m                      9,48 m                      14,84 m

3,0 m                      11,37 m                      17,81 m

3,5 m                      13,27 m                      20,78 m

### Installation characteristics

Maintained luminaires use 4 terminals (2xL + 2xN).  
Luminaires have a selector bridge to enable / disable the maintained mode.  
Installation with mounting plate.  
Possibility of installation in:  
    Ceiling/Wall surface.  
    Recessed ceiling (with installation accessory)  
Possibility of connection with:  
    Recessed wiring.

### Operating characteristics

The luminaire has a status LED, which indicates:  
    Status of the battery charging circuit.  
        On = Battery charge OK.  
        Off = Wrong battery charge.  
Remote control input that allows:  
    Put on standby without power supply.  
    Restart in emergency status without power supply.  
    Emergency status test with power supply

### General Envelope data

### Accessories

**AMY0011**



ACC. REC. ALYA WHITE CEILING