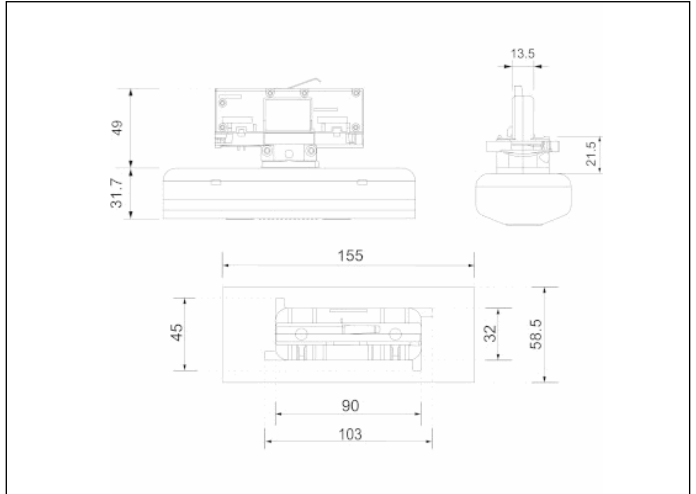


Graphic reference



Dimensions



Control System: DALI

Luminaire: Self-Contained

Standards: EN-60598-1,
EN-60598-2-22, EN-62034, EN
61347-2-7, EN 61347-2-13, EN
62386

Certification: CE



Electrical characteristics

Supply: 230V 50Hz<2.8W
Maintained mode consumption: 2,8 W
Non-maintained mode consumption: - W
Working temperature: 0-40°C
Emergency lamp: 6xLED 0.5W
Emergency lumen output: 300 lm
Maintained lumen output: 180 lm
Battery: 3.2V-3.0Ah LFP

Class: II
Mode: -
Power factor: - %
Signaling Luminaire: -
LED temperature: 4000°K
Duration: 3 h
Remote control: Yes
Charging time: 12 h

Mechanical characteristics

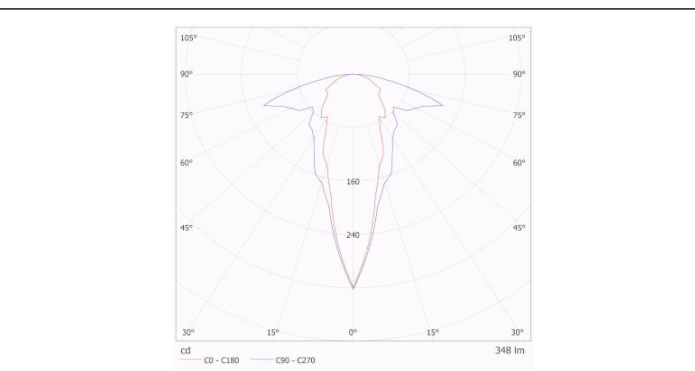
Housing: Polycarbonate
Diffuser: Ambient + Directional Lens
Suitable for flammable surfaces: Yes

IP/IK: IP20/IK04
Finish: White RAL9003

Weight: 0,16KG

ATEX Envelope:

Photometric curve



Interdistance

Installation height	Interdistance 1	Interdistance 2
2,0 m	7,58 m	11,87 m
2,5 m	9,48 m	14,84 m
3,0 m	10,60 m	16,47 m
3,5 m	10,98 m	16,71 m

Installation characteristics

Installation possibilities in:

Electrical rail.

Compatible with ONETRACK UL 3 circuits

Compatible with EUROSTANDARD tracks

Operating characteristics

Bus available for DALI communication.

The luminaire has a status LED, which indicates:

Green LED: OK

Yellow LED flashing: Battery charging or battery connection failure.

LED off: Emergency operation failure or mains failure or defective LED or defective unit.

General Envelope data