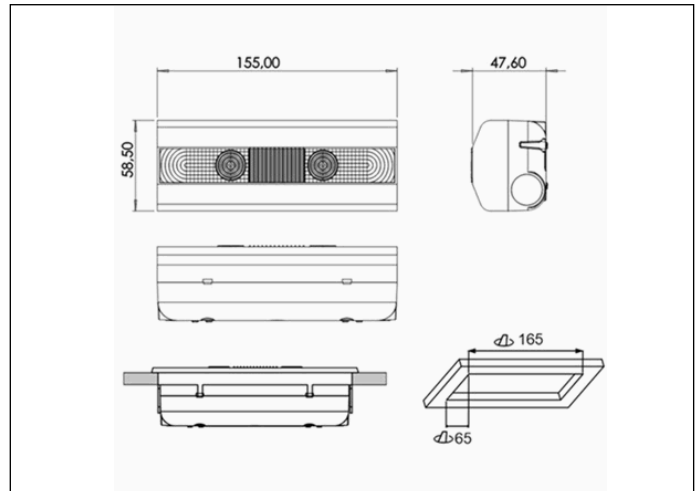


Graphic reference



Dimensions



Control System: DALI2

Luminaire: Self-Contained

Standards: EN-60598-1,
EN-60598-2-22, EN-62034, EN
61347-2-7, EN 61347-2-13, EN
62386

Certification: CE, DALI2



Electrical characteristics

Supply: 230V 50Hz<1.0W

Maintained mode consumption: - W

Non-maintained mode consumption: 1,0 W

Working temperature: 0-40°C

Emergency lamp: 6xLED 0.5W

Emergency lumen output: 175 lm

Maintained lumen output: - lm

Battery: 3.2V-3.0Ah LFP

Class: II

Mode: NM

Power factor: - %

Signaling Luminaire: -

LED temperature: 4000°K

Duration: 3 h

Remote control: Yes

Charging time: 12 h

Mechanical characteristics

Housing: Polycarbonate

Diffuser: Ambient + Directional Lens

Suitable for flammable surfaces: Yes

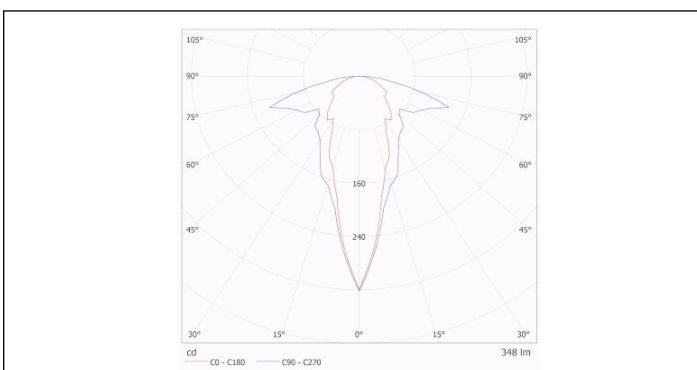
ATEX Envelope:

IP/IK: IP42/IK04

Finish: White RAL9003

Weight: 0,16KG

Photometric curve



Interdistance

Installation height



2,0 m 7,58 m 11,87 m

2,5 m 9,48 m 14,84 m

3,0 m 10,60 m 16,47 m

3,5 m 10,98 m 16,71 m

Installation characteristics

Maintained luminaires use 4 terminals (2xL + 2xN).
Luminaires have a selector bridge to enable / disable the maintained mode.
Installation with mounting plate.
Possibility of installation in:
 Ceiling/Wall surface.
 Recessed ceiling (with installation accessory)
Possibility of connection with:
 Recessed wiring.

Operating characteristics

Bus available for DALI2 communication.
The luminaire has a status LED, which indicates:
 Green LED: OK
 Yellow LED flashing: Battery charging or battery connection failure.
 LED off: Emergency operation failure or mains failure or defective LED or defective unit.

General Envelope data

Accessories

AMY0011



ACC. REC. ALYA WHITE CEILING