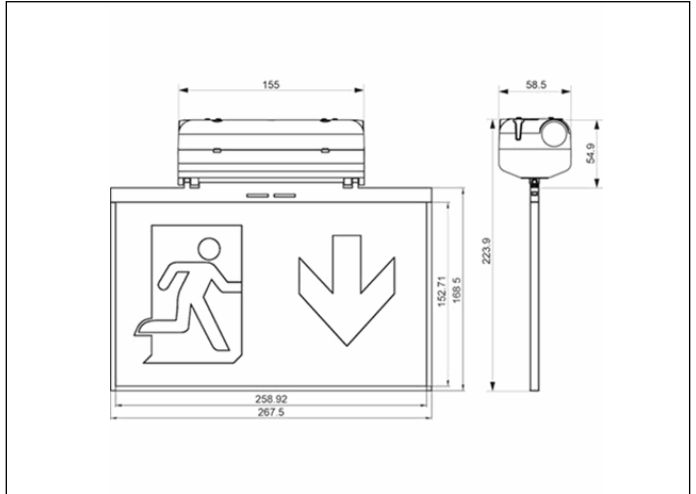


Graphic reference



Dimensions



Control System: AutoTest

Luminaire: Self-Contained

Standards: EN-60598-1,
EN-60598-2-22, EN-62034

Certification: CE



Electrical characteristics

Supply: 230V 50Hz<3.6W

Maintained mode consumption: 3.6 W

Non-maintained mode consumption: - W

Working temperature: 0-40°C

Emergency lamp: 25xLED 0.5W

Emergency lumen output: - lm

Maintained lumen output: - lm

Battery: 3.2V-1.5Ah LFP

Class: II

Mode: M

Power factor: - %

Signaling Luminaire: -

LED temperature: 6500°K

Duration: 3 h

Remote control: Yes

Charging time: 12 h

Mechanical characteristics

Housing: Polycarbonate

Diffuser: Methacrylate

Suitable for flammable surfaces: Yes

ATEX Envelope:

IP/IK: IP42/IK04

Finish: White RAL9003

Weight: 0,59KG

Photometric curve



Interdistance

Installation height



2,0 m

-

-

2,5 m

-

-

3,0 m

-

-

3,5 m

-

-

Installation characteristics

Maintained luminaires use 4 terminals (2xL + 2xN).
Installation with mounting plate.
Possibility of installation in:
 Ceiling/Wall surface.
Possibility of connection with:
 Surface tube wiring.
Vision distance: 25 m

Operating characteristics

The luminaire has status LEDs, which indicates:
 Status of the battery charging circuit.
 Battery status (duration)
 Emergency status function.
 Test status.

Microprocessor controlled luminaire that performs periodic and automatic tests.
 Functional test every 7 days.
 Duration test every 365 days.

The test result is shown in the status indicator LEDs.

Remote control input that allows:
 Put on Standby without power supply.
 Restart in emergency status without power supply.
 Switch on in emergency status (more than 24 h of charge)
 Manual and remote duration test. (more than 24 hours of charge).
 Date and time programming of the tests.
 Reset of the luminaire status.

General Envelope data