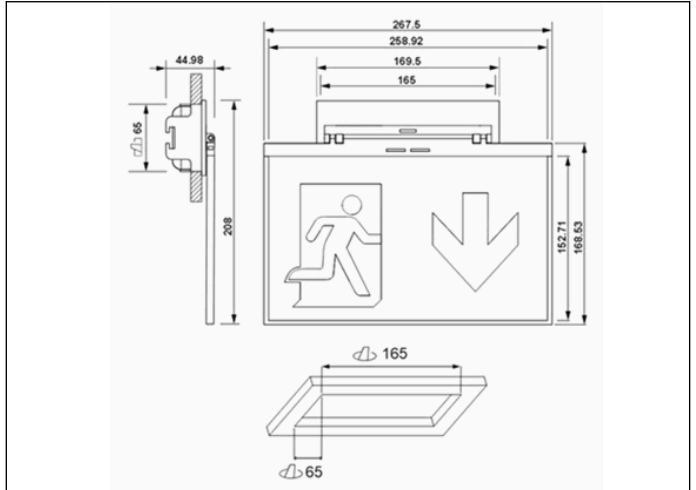


### Graphic reference



### Dimensions



Control System: DALI2

Luminaire: Self-Contained

Standards: EN-60598-1,  
EN-60598-2-22, EN-62034, EN  
61347-2-7, EN 61347-2-13, EN  
62386

Certification: CE, ENEC,  
DALI2



### Electrical characteristics

Supply: 230V 50Hz<3W

Maintained mode consumption: 3 W

Non-maintained mode consumption: - W

Working temperature: 0-40°C

Emergency lamp: 25xLED 0.5W

Emergency lumen output: - lm

Maintained lumen output: - lm

Battery: 3.2V-1.0Ah LFP

Class: II

Mode: M

Power factor: - %

Signaling Luminaire: -

LED temperature: 4000°K

Duration: 1 h

Remote control: Yes

Charging time: 12 h

### Mechanical characteristics

Housing: Polycarbonate

Diffuser: Methacrylate

Suitable for flammable surfaces: Yes

ATEX Envelope:

IP/IK: IP42/IK04

Finish: White RAL9003

Weight: 0,16KG

### Photometric curve



### Interdistance

Installation  
height



2,0 m

-

-

2,5 m

-

-

3,0 m

-

-

3,5 m

-

-

### Installation characteristics

Maintained luminaires use 4 terminals (2xL + 2xN).  
Installation with mounting plate.  
Possibility of installation in:  
    Recessed ceiling.  
Possibility of connection with:  
    Surface tube wiring.  
Vision distance: 25 m

### Operating characteristics

Bus available for DALI2 communication.  
The luminaire has a status LED, which indicates:  
    Green LED: OK  
    Yellow LED flashing: Battery charging or battery connection failure.  
    LED off: Emergency operation failure or mains failure or defective LED or defective unit.

### General Envelope data