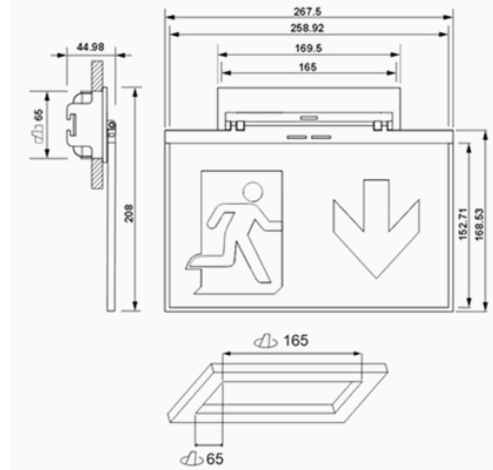


Graphic reference



Dimensions



Control System: AutoTest
Centralized Wireless
Standards: EN-60598-1,
EN-60598-2-22, EN-62034

Luminaire: Self-Contained

Certification: CE, ENEC



Electrical characteristics

Supply: 230V 50Hz<2.9W
Maintained mode consumption: 2.9 W
Non-maintained mode consumption: - W
Working temperature: 0-40°C
Emergency lamp: 25xLED 0.5W
Emergency lumen output: - lm
Maintained lumen output: - lm
Battery: 3.2V-1.0Ah LFP

Class: II
Mode: M
Power factor: - %
Signaling Luminaire: -
LED temperature: 4000°K
Duration: 1 h
Remote control: No
Charging time: 12 h

Mechanical characteristics

Envelope: Polycarbonate
Diffuser: Methacrylate
Suitable for flammable surfaces: Yes

IP/IK: IP42/IK04
Finish: White RAL9003

Weight: 0,16KG

ATEX Envelope:

Photometric curve



Interdistance

Installation height

2,0 m
2,5 m
3,0 m
3,5 m



-
-
-
-

Installation characteristics

Maintained luminaires use 4 terminals (2xL + 2xN).
Installation with mounting plate.
Possibility of installation in:
 Recessed ceiling.
Possibility of connection with:
 Surface tube wiring.
Vision distance: 25 m

Operating characteristics

The luminaire has status LEDs, which indicates:
 Status of the battery charging circuit.
 Battery status (duration)
 Emergency status function.
 Test status.
Microprocessor controlled luminaire
The luminaire can be connected to a control unit.
When the luminaire is installed without a control unit, it performs periodic and automatic tests.
 Functional test every 7 days.
 Duration test every 365 days.
The test result is shown in the status indicator LEDs.
Wireless communication that allows: Communication with Control unit by wireless communication with a 868Mhz frequency system.

General Envelope data