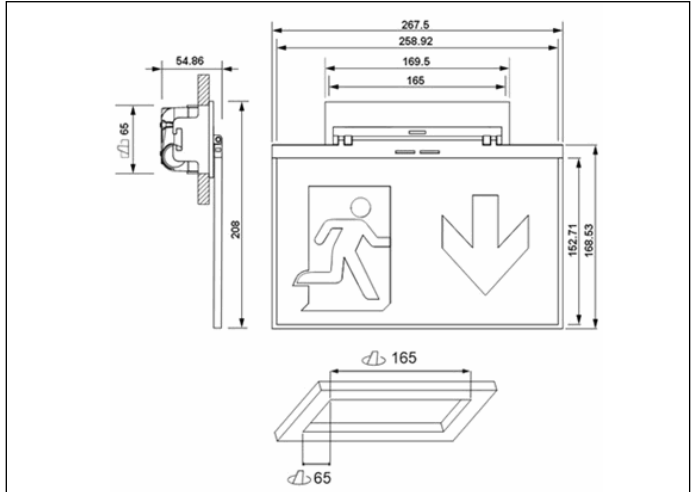


### Graphic reference



### Dimensions



**Control System:** DALI2

**Luminaire:** Self-Contained

**Standards:** EN-60598-1,  
EN-60598-2-22, EN-62034, EN  
61347-2-7, EN 61347-2-13, EN  
62386

**Certification:** CE, ENEC,  
CIVIL DEFENSE, DALI2



### Electrical characteristics

**Supply:** 230V 50Hz<3.6W  
**Maintained mode consumption:** 3,6 W  
**Non-maintained mode consumption:** - W  
**Working temperature:** 0-40°C  
**Emergency lamp:** 25xLED 0.5W  
**Emergency lumen output:** - lm  
**Maintained lumen output:** - lm  
**Battery:** 3.2V-1.5Ah LFP

**Class:** II  
**Mode:** M  
**Power factor:** - %  
**Signaling Luminaire:** -  
**LED temperature:** 4000°K  
**Duration:** 3 h  
**Remote control:** Yes  
**Charging time:** 12 h

### Mechanical characteristics

**Housing:** Polycarbonate  
**Diffuser:** Methacrylate  
**Suitable for flammable surfaces:** Yes

**IP/IK:** IP42/IK04  
**Finish:** White RAL9003  
**Weight:** 0,55KG

**ATEX Envelope:**

### Photometric curve



### Interdistance

Installation height	Diagram 1	Diagram 2
2,0 m	-	-
2,5 m	-	-
3,0 m	-	-
3,5 m	-	-

### Installation characteristics

Maintained luminaires use 4 terminals (2xL + 2xN).  
Installation with mounting plate.  
Possibility of installation in:  
    Recessed ceiling.  
Possibility of connection with:  
    Surface tube wiring.  
Vision distance: 25 m

### Operating characteristics

Bus available for DALI2 communication.  
The luminaire has a status LED, which indicates:  
    Green LED: OK  
    Yellow LED flashing: Battery charging or battery connection failure.  
    LED off: Emergency operation failure or mains failure or defective LED or defective unit.

### General Envelope data