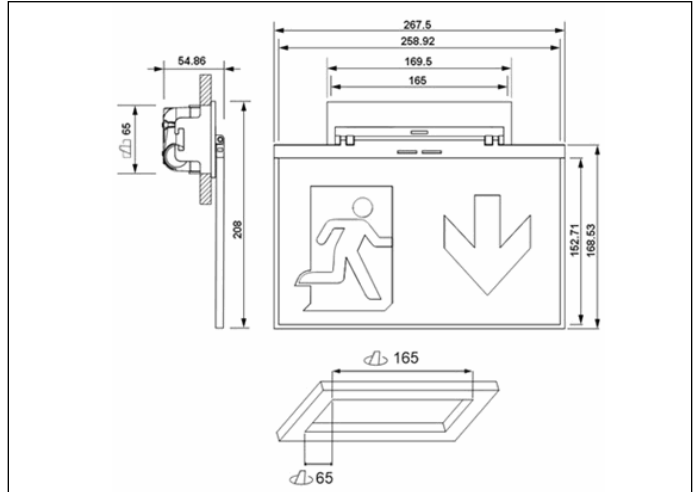


Graphic reference



Dimensions



Control System: DALI2

Luminaire: Self-Contained

Standards: EN-60598-1,
EN-60598-2-22, EN-62034, EN
61347-2-7, EN 61347-2-13, EN
62386

Certification: CE, ENEC,
CIVIL DEFENSE, DALI2



Electrical characteristics

Supply: 230V 50Hz<3.6W
Maintained mode consumption: 3,6 W
Non-maintained mode consumption: - W
Working temperature: 0-40°C
Emergency lamp: 25xLED 0.5W
Emergency lumen output: - lm
Maintained lumen output: - lm
Battery: 3.2V-1.5Ah LFP

Class: II
Mode: M
Power factor: - %
Signaling Luminaire: -
LED temperature: 4000°K
Duration: 3 h
Remote control: Yes
Charging time: 12 h

Mechanical characteristics

Housing: Polycarbonate
Diffuser: Methacrylate
Suitable for flammable surfaces: Yes

IP/IK: IP42/IK04
Finish: White RAL9003
Weight: 0,48KG

ATEX Envelope:

Photometric curve



Interdistance

Installation height	Diagram 1	Diagram 2
2,0 m	-	-
2,5 m	-	-
3,0 m	-	-
3,5 m	-	-

Installation characteristics

Maintained luminaires use 4 terminals (2xL + 2xN).

Installation with mounting plate.

Possibility of installation in:

Recessed ceiling.

Possibility of connection with:

Surface tube wiring.

Vision distance: 25 m

Operating characteristics

Bus available for DALI2 communication.

The luminaire has a status LED, which indicates:

Green LED: OK

Yellow LED flashing: Battery charging or battery connection failure.

LED off: Emergency operation failure or mains failure or defective LED or defective unit.

General Envelope data