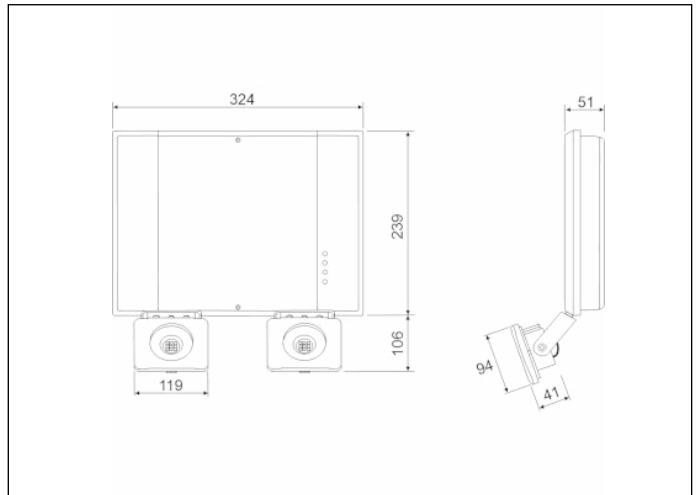


Graphic reference



Dimensions



Control System: AutoTest

Luminaire: Self-Contained

Standards: EN-60598-1,
EN-60598-2-22, EN-62034

Certification: CE

Electrical characteristics

Supply: 230V 50Hz<3.0W

Maintained mode consumption: - W

Non-maintained mode consumption: 3,0 W

Working temperature: 0-40°C

Emergency lamp: 2 x LEDS 10W

Emergency lumen output: 1500 lm

Maintained lumen output: - lm

Battery: 12.8V-3.0Ah LFP

Class: II

Mode: NM

Power factor: - %

Signaling Luminaire: -

LED temperature: 4000°K

Duration: 1 h

Remote control: Yes

Charging time: 12 h

Mechanical characteristics

Housing: Polycarbonate

Diffuser: Glass

Suitable for flammable surfaces: Yes

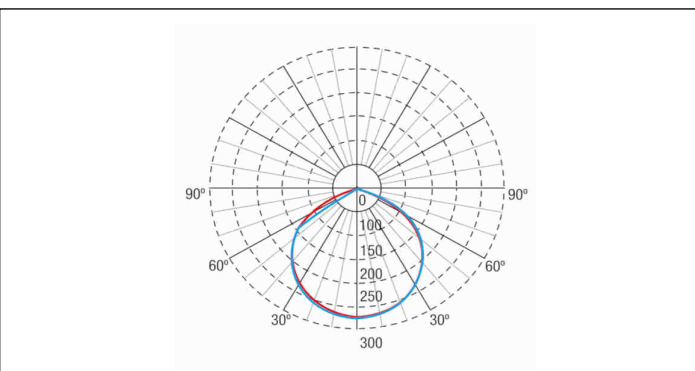
ATEX Envelope:

IP/IK: IP42/IK04

Finish: White RAL9003

Weight: 2,25KG

Photometric curve



Interdistance

Installation height



2,0 m

9,79 m

8,57 m

2,5 m

12,24 m

10,71 m

3,0 m

14,69 m

12,86 m

3,5 m

17,14 m

15,00 m

Installation characteristics

Possibility of installation in:

Ceiling/Wall surface.

Possibility of connection with:

Recessed wiring.

Surface tube wiring.

It has 2 pre-marked lateral entries for PG-11 cable glands (not included)

Two orientable spotlights, horizontally y vertically.

Specially designed to cover large areas and / or heights.

Operating characteristics

The luminaire has status LEDs, which indicates:

Status of the battery charging circuit.

Battery status (duration)

Emergency status function.

Test status.

Microprocessor controlled luminaire that performs periodic and automatic tests.

Functional test every 7 days.

Duration test every 365 days.

The test result is shown in the status indicator LEDs.

Remote control input that allows:

Put on Standby without power supply.

Restart in emergency status without power supply.

Switch on in emergency status (more than 24 h of charge)

Manual and remote duration test. (more than 24 hours of charge).

Date and time programming of the tests.

Reset of the luminaire status.

General Envelope data