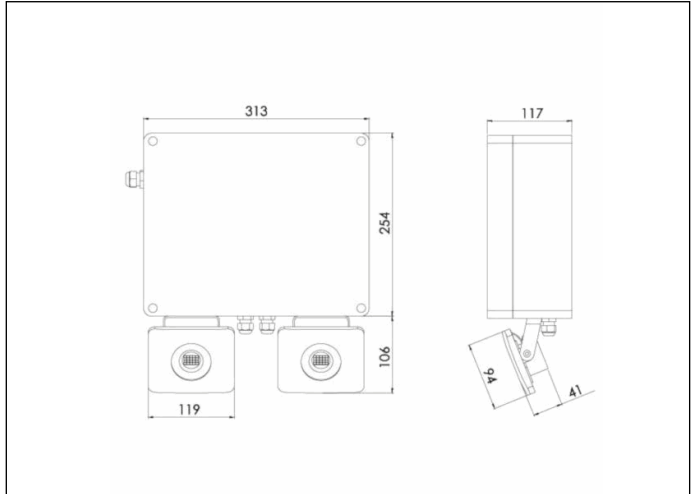


### Graphic reference



### Dimensions



**Control System:** AutoTest  
Centralized Wireless

**Luminaire:** Self-Contained

**Standards:** EN-60598-1,  
EN-60598-2-22, EN-62034

**Certification:** CE

### Electrical characteristics

**Supply:** 230V 50Hz<15.0W

**Maintained mode consumption:** - W

**Non-maintained mode consumption:** 15.0 W

**Working temperature:** -30°C - +25°C

**Emergency lamp:** 2 x LEDs 10W

**Emergency lumen output:** 1500 lm

**Maintained lumen output:** - lm

**Battery:** 2x(12,8V-3.0Ah LFP)

**Class:** II

**Mode:** NM

**Power factor:** - %

**Signaling Luminaire:** -

**LED temperature:** 4000°K

**Duration:** 3 h

**Remote control:** No

**Charging time:** 24 h

### Mechanical characteristics

**Envelope:** Polycarbonate

**Diffuser:** Glass

**Suitable for flammable surfaces:** Yes

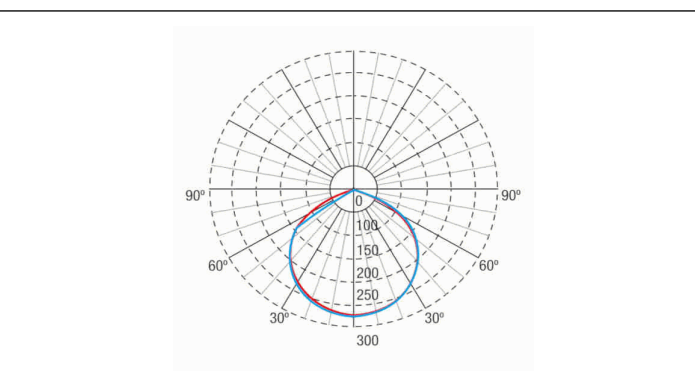
**ATEX Envelope:**

**IP/IK:** IP65/IK07

**Finish:** Gray RAL7035

**Weight:** 8,50KG

### Photometric curve



### Interdistance

**Installation height**



2,0 m	9,79 m	8,57 m
2,5 m	12,24 m	10,71 m
3,0 m	14,69 m	12,86 m
3,5 m	17,14 m	15,00 m

### Installation characteristics

Possibility of installation in:  
Ceiling/Wall surface.

Possibility of connection with:  
Surface tube wiring.

It has 3 pre-marked entries for PG-11 (included)

Two orientable spotlights, horizontally y vertically.

Specially designed to cover large areas and / or heights.

### Operating characteristics

The luminaire has status LEDs, which indicates:

- Status of the battery charging circuit.
- Battery status (duration)
- Emergency status function.
- Test status.

Microprocessor controlled luminaire

The luminaire can be connected to a control unit.

When the luminaire is installed without a control unit, it performs periodic and automatic tests.

- Functional test every 7 days.
- Duration test every 365 days.

The test result is shown in the status indicator LEDs.

Wireless communication that allows: Communication with Control unit by wireless communication with a 868Mhz frequency system.

### General Envelope data