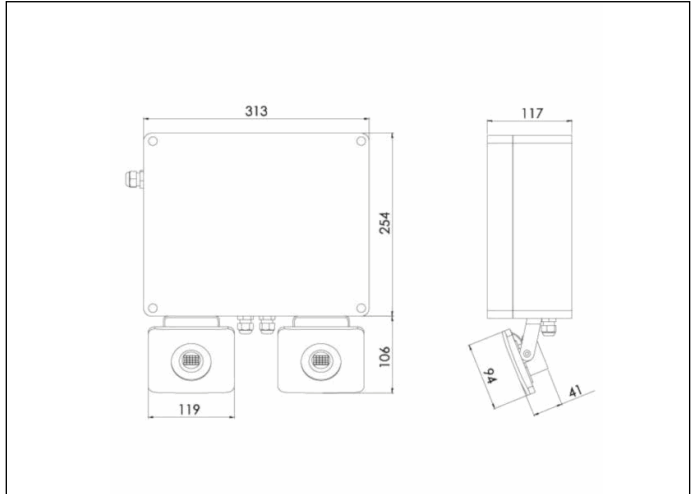


Graphic reference



Dimensions



Control System: AutoTest

Luminaire: Self-Contained

Standards: EN-60598-1,
EN-60598-2-22, EN-62034

Certification: CE

Electrical characteristics

Supply: 230V 50Hz<9.0W

Maintained mode consumption: - W

Non-maintained mode consumption: 9.0 W

Working temperature: -30°C - +25°C

Emergency lamp: 2x LEDES 20W

Emergency lumen output: 3300 lm

Maintained lumen output: - lm

Battery: 2x(12,8V-3.0Ah LFP)

Class: II

Mode: NM

Power factor: - %

Signaling Luminaire: -

LED temperature: 4000°K

Duration: 1 h

Remote control: Yes

Charging time: 24 h

Mechanical characteristics

Envelope: Polycarbonate

Diffuser: Glass

Suitable for flammable surfaces: Yes

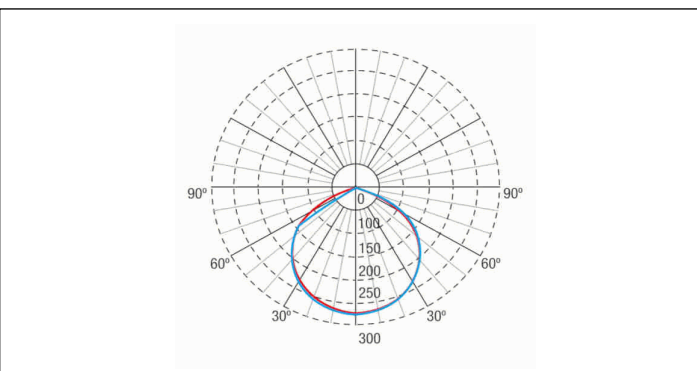
ATEX Envelope:

IP/IK: IP65/IK07

Finish: Gray RAL7035

Weight: 3,76KG

Photometric curve



Interdistance

Installation height



2,0 m

9,79 m

8,57 m

2,5 m

12,24 m

10,71 m

3,0 m

14,69 m

12,86 m

3,5 m

17,14 m

15,00 m

Installation characteristics

Possibility of installation in:
Ceiling/Wall surface.

Possibility of connection with:
Surface tube wiring.

It has 3 pre-marked entries for PG-11 (included)

Two orientable spotlights, horizontally y vertically.

Specially designed to cover large areas and / or heights.

Operating characteristics

The luminaire has status LEDs, which indicates:

- Status of the battery charging circuit.
- Battery status (duration)
- Emergency status function.
- Test status.

Microprocessor controlled luminaire that performs periodic and automatic tests.

- Functional test every 7 days.
- Duration test every 365 days.

The test result is shown in the status indicator LEDs.

Remote control input that allows:

- Put on Standby without power supply.
- Restart in emergency status without power supply.
- Switch on in emergency status (more than 24 h of charge)
- Manual and remote duration test. (more than 24 hours of charge).
- Date and time programming of the tests.
- Reset of the luminaire status.

General Envelope data