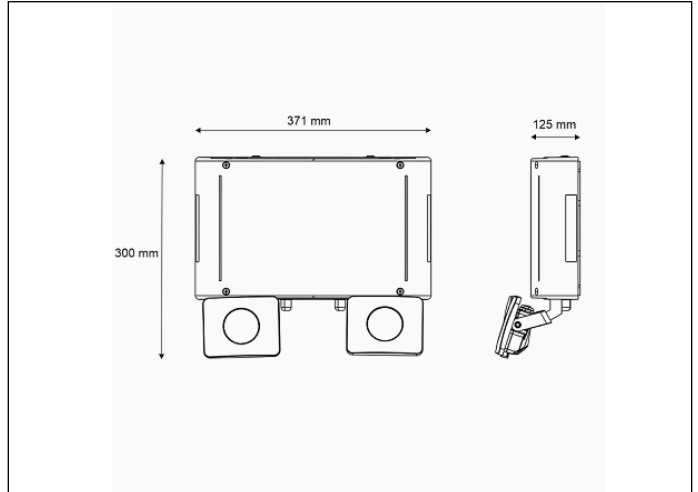


Graphic reference



Dimensions



Control System: DALI2

Luminaire: Self-Contained

Standards: EN-60598-1,
EN-60598-2-22, EN-62034

Certification: CE, DALI2



Electrical characteristics

Supply: 230V 50Hz<3.0W

Maintained mode consumption: - W

Non-maintained mode consumption: 3.0 W

Working temperature: 0-40°C

Emergency lamp: 2x LEDS 10W

Emergency lumen output: 1500 lm

Maintained lumen output: - lm

Battery: 2x(12.8V-3.0Ah LFP)

Class: II

Mode: NM

Power factor: - %

Signaling Luminaire: -

LED temperature: 4000°K

Duration: 3 h

Remote control: Yes

Charging time: 12 h

Mechanical characteristics

Envelope: Polycarbonate

Diffuser: Glass

Suitable for flammable surfaces: Yes

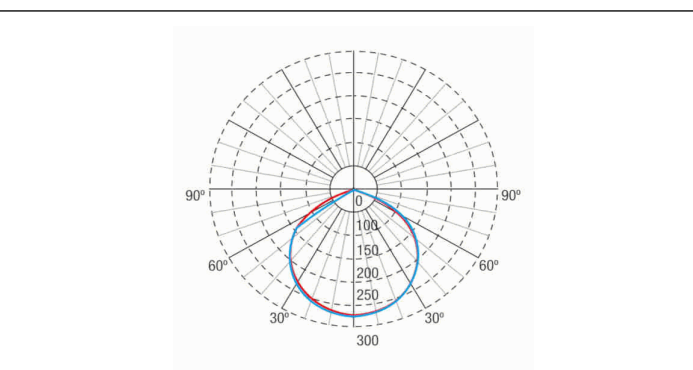
ATEX Envelope:

IP/IK: IP65/IK07

Finish: White RAL9003

Weight: 5,92KG

Photometric curve



Interdistance

Installation height



2,0 m	9,79 m	8,57 m
2,5 m	12,24 m	10,71 m
3,0 m	14,69 m	12,86 m
3,5 m	17,14 m	15,00 m

Installation characteristics

Possibility of installation in:
Ceiling/Wall surface.

Possibility of connection with:
Surface tube wiring.

It has 4 pre-marked entries for PG-11 (included)

Two orientable spotlights, horizontally y vertically.

Specially designed to cover large areas and / or heights.

Operating characteristics

Bus available for DALI2 communication.

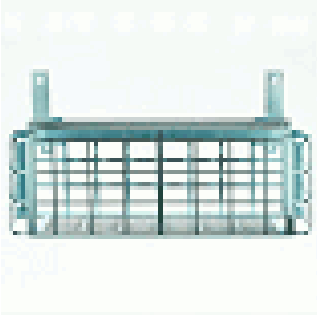
The luminaire has a status LED, which indicates:

- Green LED: OK
- Yellow LED flashing: Battery charging or battery connection failure.
- LED off: Emergency operation failure or mains failure or defective LED or defective unit.

General Envelope data

Accessories

AGM160



ACC. PROT. GRILLE MAXILUM EVO