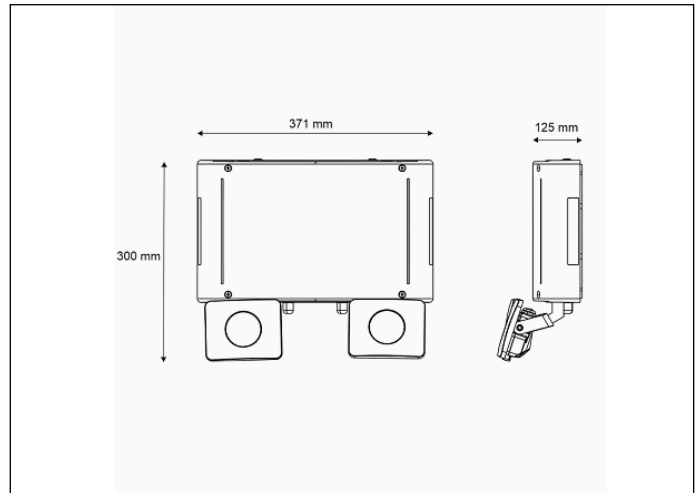


### Graphic reference



### Dimensions



**Control System:** AutoTest

**Luminaire:** Self-Contained

**Standards:** EN-60598-1,  
EN-60598-2-22, EN-62034

**Certification:** CE

### Electrical characteristics

**Supply:** 230V 50Hz<3.0W

**Maintained mode consumption:** - W

**Non-maintained mode consumption:** 3.0 W

**Working temperature:** 0-40°C

**Emergency lamp:** 2x LEDS 10W

**Emergency lumen output:** 1500 lm

**Maintained lumen output:** - lm

**Battery:** 12.8V-3.0Ah LFP

**Class:** II

**Mode:** NM

**Power factor:** - %

**Signaling Luminaire:** -

**LED temperature:** 4000°K

**Duration:** 1 h

**Remote control:** Yes

**Charging time:** 12 h

### Mechanical characteristics

**Envelope:** Polycarbonate

**Diffuser:** Glass

**Suitable for flammable surfaces:** Yes

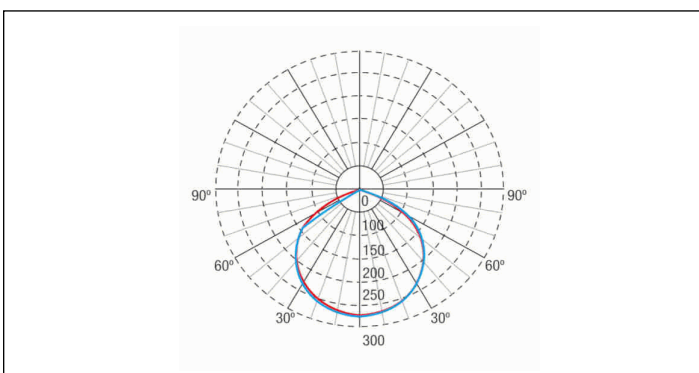
**ATEX Envelope:**

**IP/IK:** IP65/IK07

**Finish:** White RAL9003

**Weight:** 5,92KG

### Photometric curve



### Interdistance

**Installation height**

2,0 m

2,5 m

3,0 m

3,5 m



9,79 m

12,24 m

14,69 m

17,14 m

8,57 m

10,71 m

12,86 m

15,00 m

### Installation characteristics

Possibility of installation in:  
Ceiling/Wall surface.  
Possibility of connection with:  
Surface tube wiring.  
It has 4 pre-marked entries for PG-11 (included)  
Two orientable spotlights, horizontally y vertically.  
Specially designed to cover large areas and / or heights.

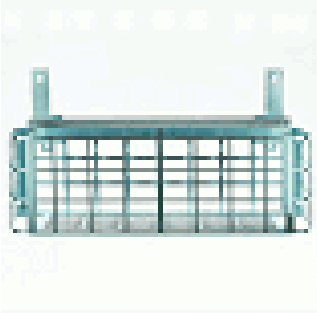
### Operating characteristics

The luminaire has status LEDs, which indicates:  
Status of the battery charging circuit.  
Battery status (duration)  
Emergency status function.  
Test status.  
Microprocessor controlled luminaire that performs periodic and automatic tests.  
Functional test every 7 days.  
Duration test every 365 days.  
The test result is shown in the status indicator LEDs.  
Remote control input that allows:  
Put on Standby without power supply.  
Restart in emergency status without power supply.  
Switch on in emergency status (more than 24 h of charge)  
Manual and remote duration test. (more than 24 hours of charge).  
Date and time programming of the tests.  
Reset of the luminaire status.

### General Envelope data

### Accessories

#### AGM160



ACC. PROT. GRILLE MAXILUM EVO