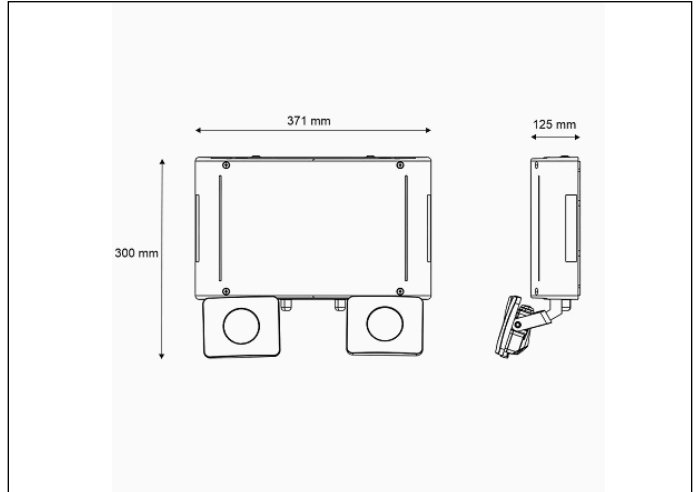


### Graphic reference



### Dimensions



**Control System:** DALI2

**Luminaire:** Self-Contained

**Standards:** EN-60598-1,  
EN-60598-2-22, EN-62034

**Certification:** CE, DALI2



### Electrical characteristics

**Supply:** 230V 50Hz<3.0W

**Maintained mode consumption:** - W

**Non-maintained mode consumption:** 3.0 W

**Working temperature:** 0°C - 40°C

**Emergency lamp:** 2x LEDS 20W

**Emergency lumen output:** 3300 lm

**Maintained lumen output:** - lm

**Battery:** 2x(12,8V-3.0Ah LFP)

**Class:** II

**Mode:** NM

**Power factor:** - %

**Signaling Luminaire:** -

**LED temperature:** 4000°K

**Duration:** 1 h

**Remote control:** Yes

**Charging time:** 12 h

### Mechanical characteristics

**Envelope:** Polycarbonate

**Diffuser:** Glass

**Suitable for flammable surfaces:** Yes

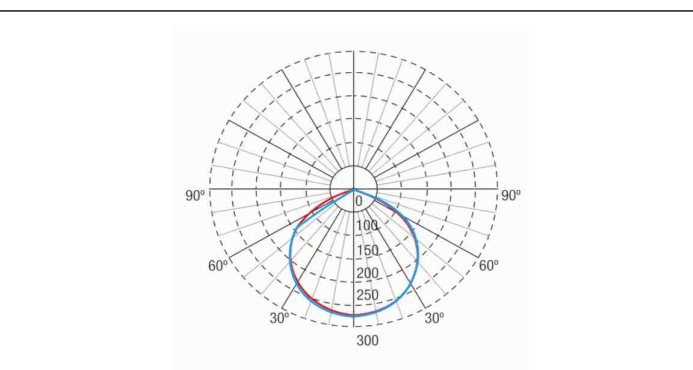
**ATEX Envelope:**

**IP/IK:** IP65/IK07

**Finish:** White RAL9003

**Weight:** 3,76KG

### Photometric curve



### Interdistance

**Installation height**



2,0 m	9,79 m	8,57 m
2,5 m	12,24 m	10,71 m
3,0 m	14,69 m	12,86 m
3,5 m	17,14 m	15,00 m

### Installation characteristics

Possibility of installation in:  
Ceiling/Wall surface.

Possibility of connection with:  
Surface tube wiring.

It has 4 pre-marked entries for PG-11 (included)

Two orientable spotlights, horizontally y vertically.

Specially designed to cover large areas and / or heights.

### Operating characteristics

Bus available for DALI2 communication.

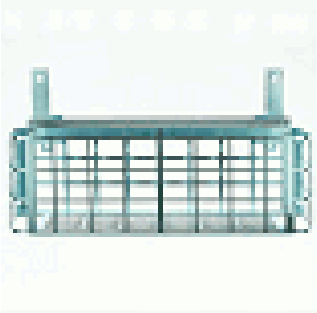
The luminaire has a status LED, which indicates:

- Green LED: OK
- Yellow LED flashing: Battery charging or battery connection failure.
- LED off: Emergency operation failure or mains failure or defective LED or defective unit.

### General Envelope data

### Accessories

#### AGM160



ACC. PROT. GRILLE MAXILUM EVO