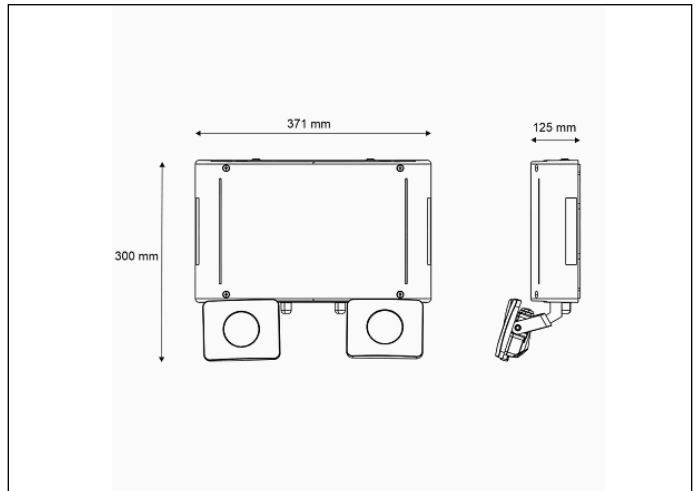


Graphic reference



Dimensions



Control System: AutoTest

Luminaire: Self-Contained

Standards: EN-60598-1,
EN-60598-2-22, EN-62034

Certification: CE

Electrical characteristics

Supply: 230V 50Hz<9.0W

Maintained mode consumption: - W

Non-maintained mode consumption: 9.0 W

Working temperature: -30°C - +25°C

Emergency lamp: 2x LEDS 20W

Emergency lumen output: 3300 lm

Maintained lumen output: - lm

Battery: 2x(12,8V-3.0Ah LFP)

Class: II

Mode: NM

Power factor: - %

Signaling Luminaire: -

LED temperature: 4000°K

Duration: 1 h

Remote control: Yes

Charging time: 24 h

Mechanical characteristics

Envelope: Polycarbonate

Diffuser: Glass

Suitable for flammable surfaces: Yes

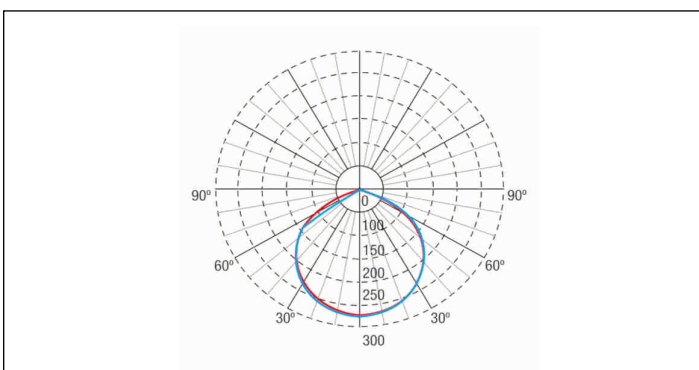
ATEX Envelope:

IP/IK: IP65/IK07

Finish: White RAL9003

Weight: 3,76KG

Photometric curve



Interdistance

Installation height

2,0 m

2,5 m

3,0 m

3,5 m



9,79 m

12,24 m

14,69 m

17,14 m

8,57 m

10,71 m

12,86 m

15,00 m

Installation characteristics

Possibility of installation in:
Ceiling/Wall surface.
Possibility of connection with:
Surface tube wiring.
It has 4 pre-marked entries for PG-11 (included)
Two orientable spotlights, horizontally y vertically.
Specially designed to cover large areas and / or heights.

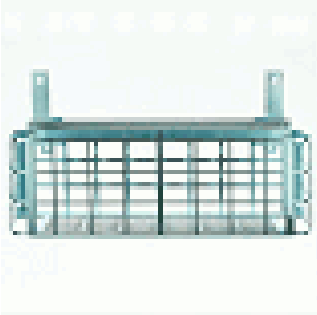
Operating characteristics

The luminaire has status LEDs, which indicates:
Status of the battery charging circuit.
Battery status (duration)
Emergency status function.
Test status.
Microprocessor controlled luminaire that performs periodic and automatic tests.
Functional test every 7 days.
Duration test every 365 days.
The test result is shown in the status indicator LEDs.
Remote control input that allows:
Put on Standby without power supply.
Restart in emergency status without power supply.
Switch on in emergency status (more than 24 h of charge)
Manual and remote duration test. (more than 24 hours of charge).
Date and time programming of the tests.
Reset of the luminaire status.

General Envelope data

Accessories

AGM160



ACC. PROT. GRILLE MAXILUM EVO