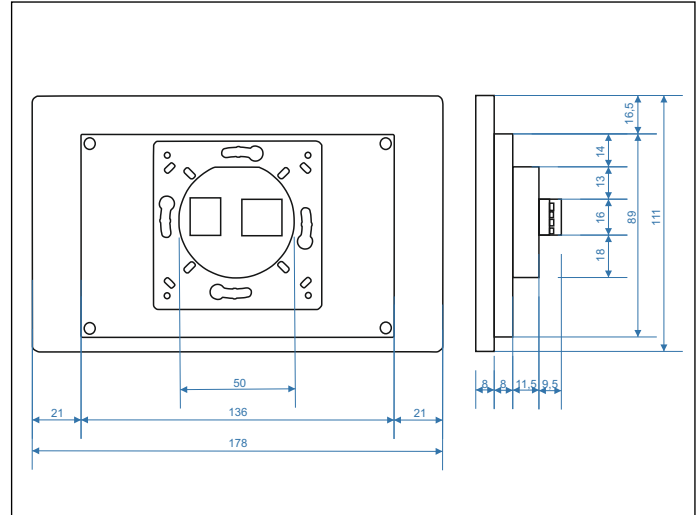


Graphic Reference



Dimensions



Control system: DALI-2

Certification: CE, UKCA

Standards: EN-60598-1, EN-60598-2-22
EN-61347-2-7, EN-61347-2-13
EN-62386



Technical data

Power: 24-56 VdC or PoE (Power Over Ethernet).

Consumption: 3,5W.

Number of DALI lines: 1 (possibility of expanding +3 with accessory).

Number of DALI emergency luminaires per line: 64.

Current consumption per DALI line: <2 mA.

Interface: RJ45 (Ethernet port), power terminal and bus terminal

Ambient Temperature: -10° to +50 °C.

Protection degree: IP 20.

Class: II.

Dimensions (mm): 178 x 111 x 8.

Weight: 300 g.

Wall mounting: Standard switch box

Technical characteristics

7" capacitive touchscreen with 24-bit colour depth.
1024 x 600 px · 24 bit colours.

4-bus available with an additional device. EBDA2.

Web Server that can be connected to any LAN network.

Information on the status of the luminaires, batteries, charging status, identification mode.

Scheduling and automation of communication, function and duration tests.

Installation monitoring: device list, fault list, test log list, unit information)

General settings and emergency test settings can be found in the set-up and configuration menu, as well as the board overview.

List of faults that can be saved and exported.

Evacuation configuration options: turning on all emergency luminaires for evacuation

Possibility of assigning a text or a graphic file to each emergency luminaire. The image may be displayed by the web browser.

Multi-master capable: multiple operating devices can be used together with an emergency light display in the same DALI/DALI-2 circuit.

The user interface of the DALI-2 emergency display is made up of two pages (boards): The emergency lighting status board and the error resolving board.

Accesorios

FABDA2



POWER SUPPLY FOR THE DALI BUS

FACDA2



POWER SUPPLY FOR TOUCH SCREEN
CONTROL UNIT

EBDA2



DISPLAY BUS EXTENSION